



6" MUD HOPPER

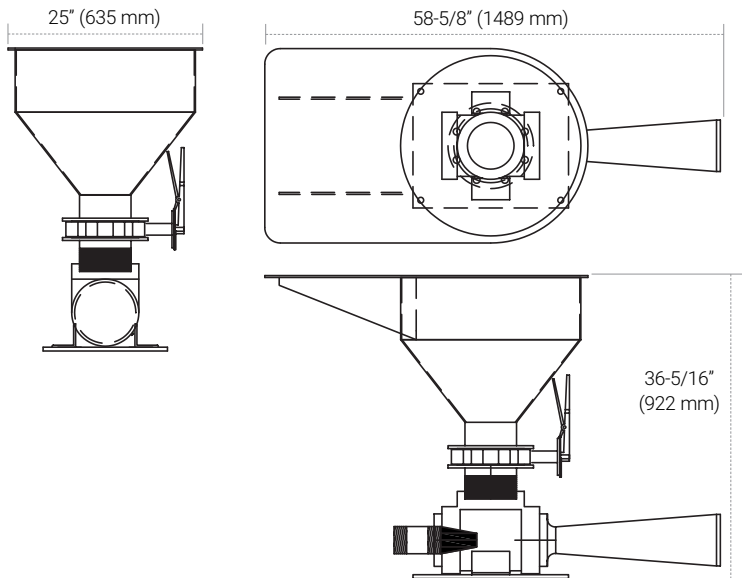
DERRICK 6" MUD HOPPER

6" Mud Hopper

- Required Pressure: 40 to 60 PSI
- Volume: 1100 to 1400 GPM
- Solids: 400 to 600 LB/MIN (4 to 6 "100 lb" sacks per minute)
- Choke Nipple Bore: 1-3/4" (44 mm)

Dimensions

- Width:** 25" (635 mm)
Length: 58-5/8" (1489 mm)
Height: 36-5/16" (922 mm)
Weight: 315 lbs (143 kg)



**GLOBAL FAMILY.
PIONEERING TECHNOLOGY.®**

15630 Export Plaza Drive
Houston, Texas 77032 U.S.A.
Office: (281) 590-3003
Toll Free: (866) DERRICK
Fax: (281) 590-6187
Email: info@derrick.com
www.Derrick.com



6" Mud Hopper Front Profile



6" Mud Hopper Back Profile



6" Mud Hopper Front Profile

All photographs and specifications in this publication are for general information only and are based on the latest product information available at the time of initial publication. Derrick Corporation reserves the right to change its product offering at any time without prior notice. Any reliance on any information on this publication shall be at user's own risk. For additional information, please contact the Derrick Houston Engineering Department.